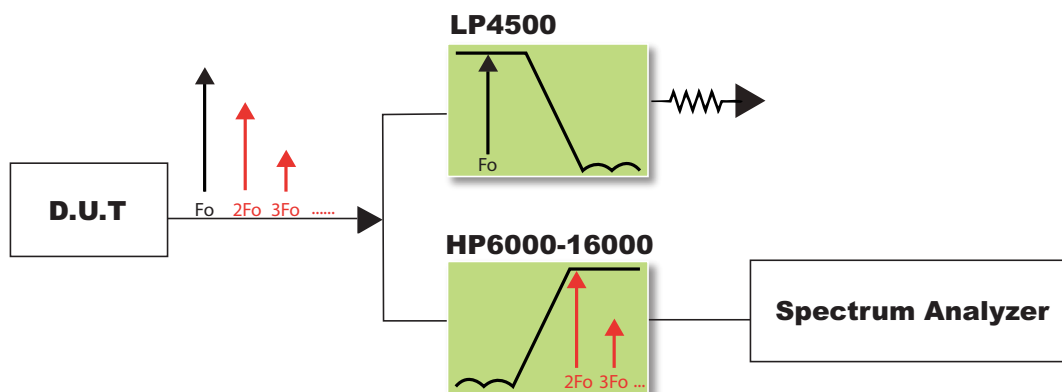
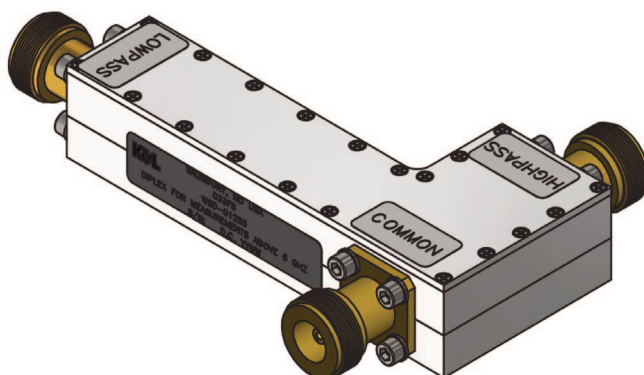


WSD-01255 — Broadband Diplexer for High Power Tones

◆ Features:

- Separates the Carrier below 4500 MHz from its Harmonics up to 16000 MHz
- Prevents the Carrier from Reflecting to the D.U.T or Entering the Spectrum Analyzer



◆ Electrical Specifications

Lowpass Port	
Passband:	DC-4500 MHz
Insertion Loss:	2.0 dB max.
Return Loss:	DC-4500 MHz: -12 dB min
Rejection: LP port to Common port, Highpass Port Terminated	6000-16000 MHz: -90 dB (-80 dB typ.)
Power Handling: Sea level at ambient temperature, COM port 50 Ohm loaded	125 W CW max. 500 W Peak
Harmonics: 1 Tone (+43) dBm presented at common port in lowpass filter region, measured at the highpass port	Base part number: -110 dBc Base part number: (-1): -130 dBc Base part number: (-2): -156 dBc Base part number: (-3): -161 dBc

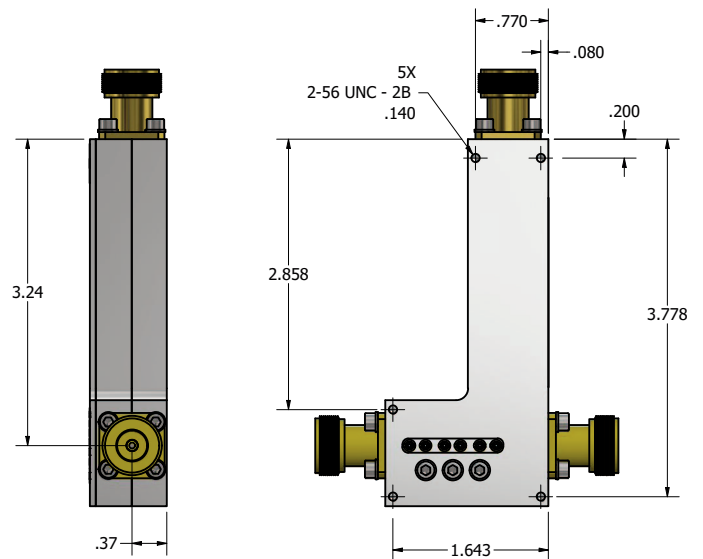
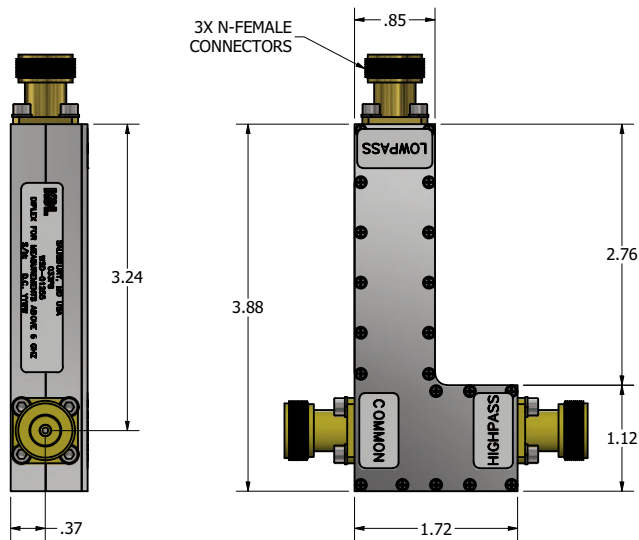
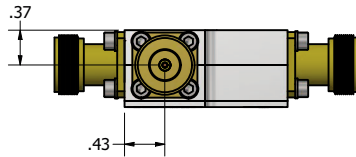
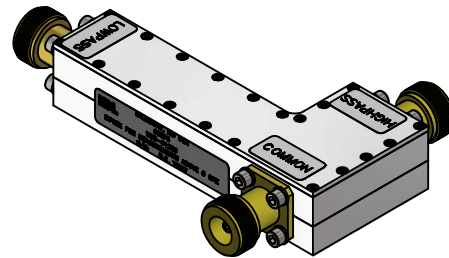
WSD-01255 — Broadband Diplexer for High Power Tones

Highpass Port

Passband:	6000-16000 MHz
Insertion Loss:	2.0 dB max.
Return Loss:	-10 dB min.
Rejection:	DC-4500 MHz: -90 dB. (-80 dB typ.)
Power Handling: Sea level at ambient temperature, COM port 50 Ohm loaded	50 W CW max.

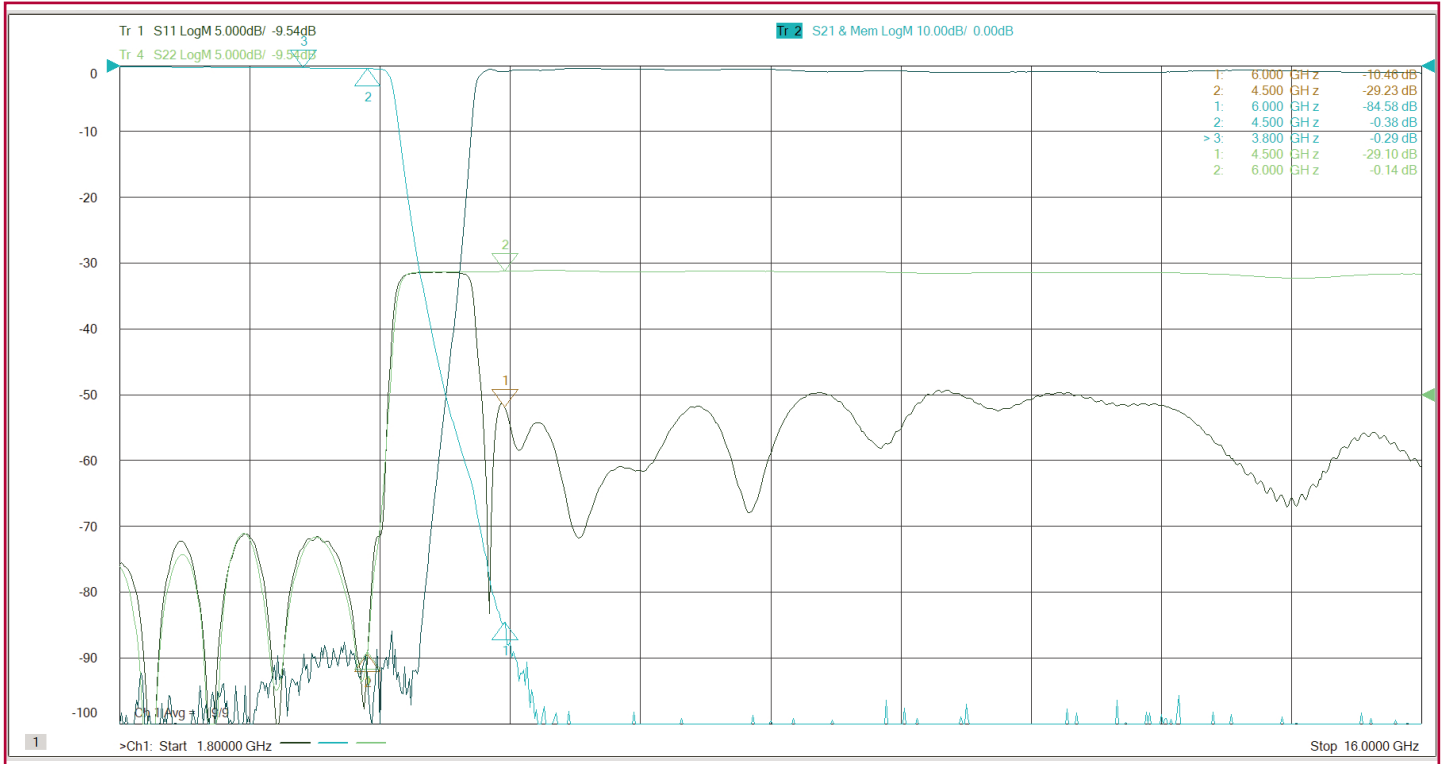
Mechanical Specifications

RF Connectors	N-Type (F)
---------------	------------



WSD-01255 — Broadband Diplexer for High Power Tones

◆ Typical Frequency Response:



Antenna to Highpass and Lowpass Port