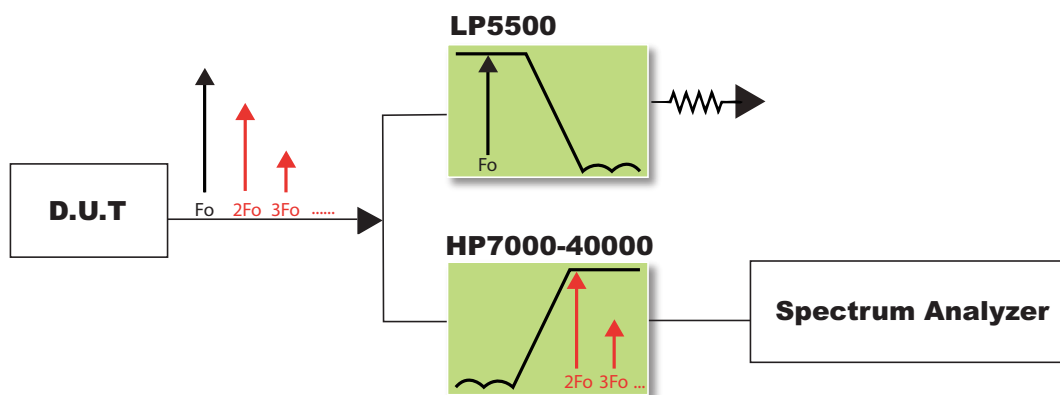


SPCL-00734 — Broadband Diplexer DC to 40 GHz

◆ Features:

- Separates the Carrier below 5 GHz from its Harmonics up to 40 GHz
- Prevents the Carrier from Reflecting to the D.U.T or Entering the Spectrum Analyzer



◆ Electrical Specifications

| Lowpass Port | |
|---|-------------------------|
| Passband: | DC-5500 MHz |
| Insertion Loss: | 2.0 dB max. |
| Return Loss: | DC-5500 MHz: -12 dB min |
| Rejection: LP port to Common port, Highpass Port Terminated | 7000-40000 MHz: -50 dB |
| Power Handling: Sea level at ambient temperature, COM port 50 Ohm loaded | 1 W CW max. |

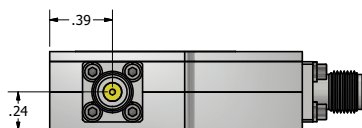
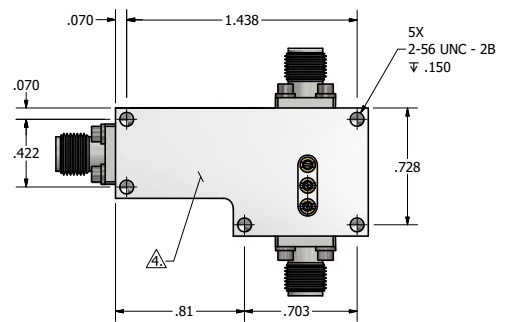
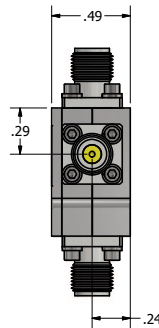
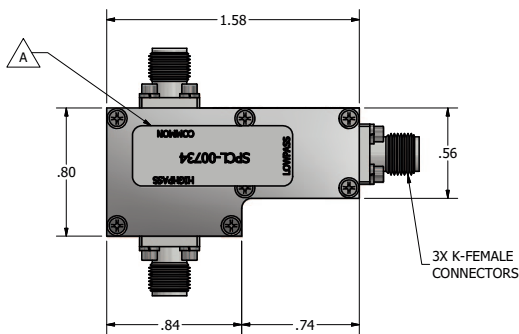
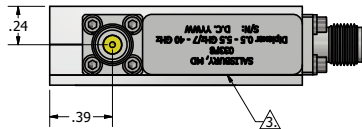
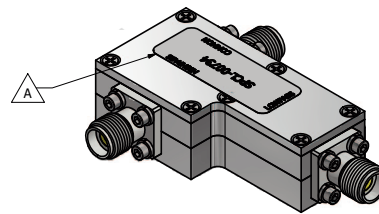
SPCL-00734 — Broadband Diplexer DC to 40 GHz

Highpass Port

| | |
|--|------------------------|
| Passband: | 7000-40000 MHz |
| Insertion Loss: | 2.0 dB max. |
| Return Loss: | 7000-40000 -10 dB min. |
| Rejection: | DC-5500 MHz: -55 dB |
| Power Handling: Sea level at ambient temperature, COM port 50 Ohm loaded | 2 W CW max. |

Mechanical Specifications

| | |
|---------------|---------|
| RF Connectors | 2.92 mm |
|---------------|---------|



SPCL-00734 — Broadband Diplexer DC to 40 GHz

◆ Typical Frequency Response:

